

**TagMeter**  
Systems



# TMU40

40 mm (1½")  
ultrasonic  
non-moving part  
consumer water meter

The TagMeter® TMU series is a unique range of ultrasonic water meters without moving parts and a full bore flow tube. They are ideal for use where mechanical meters traditionally fail due to air or grit in the water or high ambient and liquid temperature conditions. Non-measurement of air improves customer billing reliability.



## GENERAL SPECIFICATIONS

Principle of Operation  
Battery life  
Display  
Enclosure rating  
Interfaces

Materials

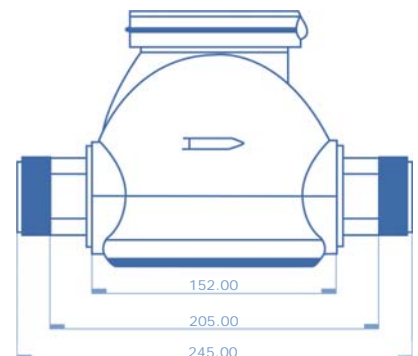
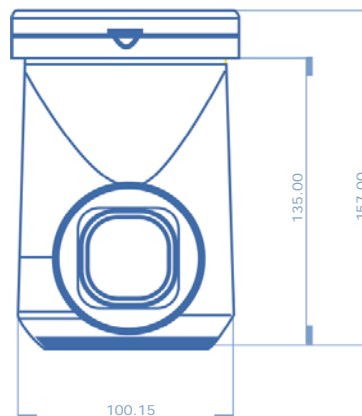
Reverse Flow  
Strainers/non-return valve

Ultrasonic transit time using inline flow cell  
10 years at least  
9 digit LCD  
IP68 to BS EN 60529:1992  
Pulse Output  
Inductive communication port (PAD)  
Serial interface for AMR  
Wetted parts: EMS Grivory HTV-4X1 black 9225 (WRAS listed)  
Other parts: Polycarbonate  
Indicated but not accumulated  
Not required to protect meter

## METER SPECIFICATIONS

Nominal bore DN  
Normal flow rate (ISO4064) Q<sub>n</sub>  
Meter connection thread  
Meter length  
Weight  
ISO4064 Class C performance  
Maximum flow rate Q<sub>max</sub>  
Minimum flow rate Q<sub>min</sub>  
Transitional flow rate  
OIML R49 performance  
Q<sub>3</sub>  
Q<sub>3</sub>/Q<sub>1</sub>  
Maximum ambient temperature  
Maximum liquid temperature  
Pressure rating  
Head loss at Q<sub>max</sub>, Q<sub>4</sub>

40 mm  
10.0 m<sup>3</sup>/h  
1½"  
245 mm  
1.0 kg  
20.0 m<sup>3</sup>/h  
100.0 l/h  
150.0 l/h  
16.0 m<sup>3</sup>/h  
160  
85°C  
85°C  
PN10/16



### CONTACT TagMeter®

URL: <http://www.tagmeter.com>  
Tel: +31 (0)165 553 360

E-mail: [info@tagmeter.com](mailto:info@tagmeter.com)  
Fax: +31 (0)165 551 480