



# TMU20

20mm (3/4")  
ultrasonic  
non-moving part  
consumer water meter



The TagMeter® TMU series is a unique range of ultrasonic water meters without moving parts and a full bore flow tube. They are ideal for use where mechanical meters traditionally fail due to air or grit in the water or high ambient and liquid temperature conditions. Non-measurement of air improves customer billing reliability.

## GENERAL SPECIFICATIONS

Principle of Operation  
Battery life  
Display  
Enclosure rating  
Interfaces

Materials

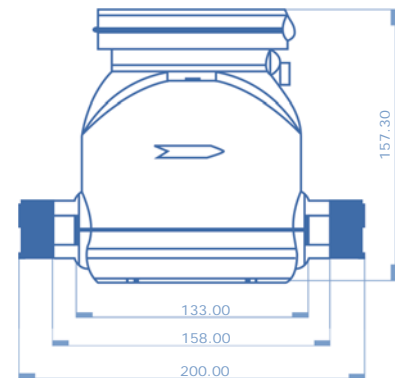
Reverse Flow  
Strainers/non-return valve

Ultrasonic transit time using inline flow cell  
10 years at least  
9 digit LCD  
IP68 to BS EN 60529:1992  
Pulse Output  
Inductive communication port (PAD)  
Serial interface for AMR  
Wetted parts: EMS Grivory HTV-4X1 black 9225 (WRAS listed)  
Other parts: Polycarbonate  
Indicated but not accumulated  
Not required to protect meter

## METER SPECIFICATIONS

Nominal bore DN  
Normal flow rate (ISO4064) Qn  
Meter connection thread  
Meter length  
Weight  
ISO4064 Class C performance  
Maximum flow rate Qmax  
Minimum flow rate Qmin  
Transitional flow rate  
OIML R49 performance  
Q3  
Q3/Q1  
Maximum ambient temperature  
Maximum liquid temperature  
Pressure rating  
Head loss at Qmax, Q4

20 mm  
2.5 m<sup>3</sup>/h  
3/4"  
200 mm  
0.6 kg  
5.0 m<sup>3</sup>/h  
25.0 l/h  
37.5 l/h  
4.0 m<sup>3</sup>/h  
160  
85°C  
85°C  
PN10/16  
<0.05 MPa



## Prepaid Meter

TagMeter® is very experienced in prepaid meters and prepaid metering. Our Ultrasonic Meters are also used in this type of meters.

Prepaid package consists of:

- Constructed of strong Anodized Extruded Aluminium Profiles
- Sandcasted aluminium top part with a powder coating finish which holds the potted electronic parts
- YMMI: Yard Meter, SPMI: Standpipe or Communal Water Dispenser
- Optional Mini Hydro Generator as power supply to the prepaid electronics
- CFM32® Cashflow Management Software for topping up credits onto the Passive RFID Transponders. Other modules in CFM32®:
  - Zoning, Debt Repayment, Emergency Credits, Tariffing, Reporting, etc.
  - Multi-use
  - CFM32® is developed and maintained by our very own in-house Software Department. This means we are able to do adaptations and/or tailor-made procedures ourselves.



**CONTACT TagMeter®**

URL: <http://www.tagmeter.com>  
Tel: +31 (0)165 553 360

E-mail: [info@tagmeter.com](mailto:info@tagmeter.com)  
Fax: +31 (0)165 551 480