

TagMeter
Systems



TMU15

15mm (1/2")
ultrasonic
non-moving part
consumer water meter

The TagMeter® TMU series is a unique range of ultrasonic water meters without moving parts and a full bore flow tube. They are ideal for use where mechanical meters traditionally fail due to air or grit in the water or high ambient and liquid temperature conditions. Non-measurement of air improves customer billing reliability.



GENERAL SPECIFICATIONS

Principle of Operation
Battery life
Display
Enclosure rating
Interfaces

Ultrasonic transit time using inline flow cell

10 years at least

9 digit LCD

IP68 to BS EN 60529:1992

Pulse Output

Inductive communication port (PAD)

Serial interface for AMR

Wetted parts: EMS Grivory HTV-4X1 black 9225 (WRAS listed)

Other parts: Polycarbonate

Indicated but not accumulated

Not required to protect meter

Materials

Reverse Flow

Strainers/non-return valve

METER SPECIFICATIONS

Nominal bore DN

15 mm

Normal flow rate (ISO4064) Qn

1.5 m³/h

Meter connection thread

1/2"

Meter length

145 mm

Weight

0.5 kg

ISO4064 Class C performance

Maximum flow rate Qmax

3.0 m³/h

Minimum flow rate Qmin

15.0 l/h

Transitional flow rate

22.5 l/h

OIML R49 performance

Q3

2.5 m³/h

Q3/Q1

160

Maximum ambient temperature

85°C

Maximum liquid temperature

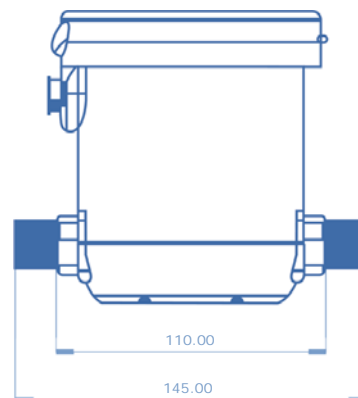
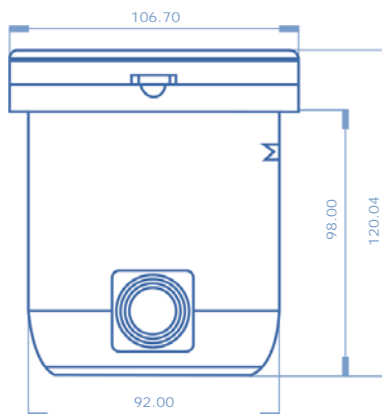
85°C

Pressure rating

PN10/16

Head loss at Qmax, Q4

<0.05 MPa



Prepaid Meter

TagMeter® is very experienced in prepaid meters and prepaid metering. Our Ultrasonic Meters are also used in this type of meters.

Prepaid package consists of:

- Constructed of strong Anodized Extruded Aluminium Profiles
- Sandcasted aluminium top part with a powder coating finish which holds the potted electronic parts
- YMMI: Yard Meter, SPMI: Standpipe or Communal Water Dispenser
- Optional Mini Hydro Generator as power supply to the prepaid electronics
- CFM32® Cashflow Management Software for topping up credits onto the Passive RFID Transponders. Other modules in CFM32®:
 - Zoning, Debt Repayment, Emergency Credits, Tariffing, Reporting, etc.
 - Multi-use
- CFM32® is developed and maintained by our very own in-house Software Department. This means we are able to do adaptations and/or tailor-made procedures ourselves.



CONTACT TagMeter®

URL: <http://www.tagmeter.com>

Tel: +31 (0)165 553 360

E-mail: info@tagmeter.com

Fax: +31 (0)165 551 480